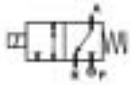


## 3/2 WAY DIRECT ACTING SOLENOID VALVE, G 1/4" ÷ G 1/2"

FOR VACUUM



normally closed

TYPE: D337/338/339CVU1

### TECHNICAL SPECIFICATIONS

Media: vacuum

Media temperature: -10°C ÷ +50°C

Body material: brass (CW617N EN 12165)

Operator material: stainless steel

Seal material: FKM

Coil power: AC 25VA (holding)

AC 50VA (inrush)

DC 22W

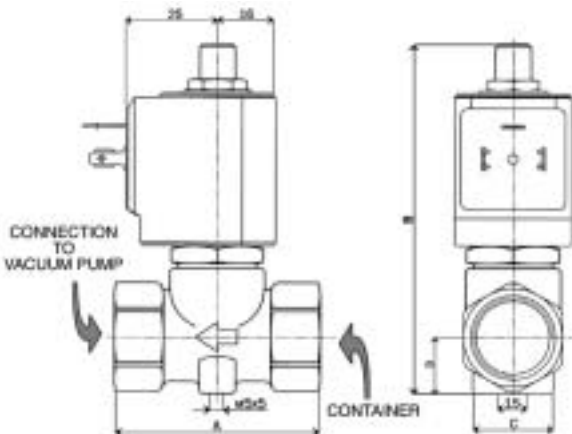
Protection class: IP 65 (with connector)

### OPTIONS

2 way version (Ex.code D239DBU1 or C D239DBU1)



SELECTION TABLE	VALVE	G connection	Nominal Diameter	Flow rate kvs	OPD max	COILS class "H" only	
	Code	[ISO 228]	[mm]	[l/min]	[bar]	Code	[Volts/Hz]
	D337CVU1	1/4"	10.5	21	- 0,95 bar (vacuum 50 mbar a)	72Z1	24V DC
	D338CVU1	3/8"	10.5	24		72K1	24V 50/60Hz
	D339CVU1	1/2"	10.5	25		74K1	110V 50Hz - 120V 60Hz
						77K1	230V 50Hz - 240V 60Hz



### DIMENSIONS & WEIGHTS

G connection	A	B	C	D	weight
[ISO 228]	[mm]	[mm]	[mm]	[mm]	[Kg]
1/4"	54	96.7	39	15.5	0.4
3/8"	54	96.7	39	15.5	0.4
1/2"	54	96.7	39	15.5	0.4