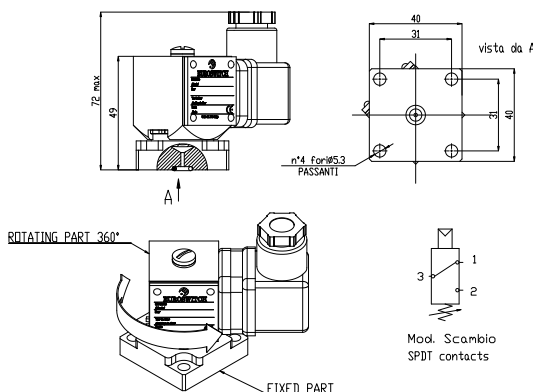


MOD.C

**转换触点压力开关 (SPDT)
标准法兰连接**

**Pressure switch with SPDT contacts
manifold connection according to Cetop standards**



本体	阳极化铝
电气触点	镀银 (或镀金触点)
螺纹	n.4 TCEI M5x25
O-密封	NBR
电压负载	250V
电流负载	5 (1) A
最高耐温	80-120°C (取决于膜片)
动作方式	1B
环境污染	正常
机械寿命	10 ⁶ 次 (膜片) 10 ⁵ 次 (活塞)
防护等级	IP 65
延迟	设定值15%
<input type="checkbox"/> 膜片形式	
1NBR-2 FKM (标准) -3EPDM CH-4 CR-5 Silicon-6 HNBR	
<input type="checkbox"/> O-密封	
7 PUR - 9 NBR	
重量	260 g

• Case	Anodized aluminium
• Threaded fitting	Zinc plated steel (on request stainless steel)
• Screw	n.4 TCEI M5x25
• O-Ring	NBR (external)
• Max switched voltage	250 Vac
• Max switched current	5 (1) A
• Max fluid temperature	80° to 120°C depending on diaphragm
• Action type	1B
• Pollution situation	normal
• Mechanical working life	10 ⁶ diaphragm version 10 ⁵ piston version
• Protection degree	IP65
• Hysteresis	~15% of setting value
<input type="checkbox"/> Insert diaphragm code (see page 86):	
1 NBR - 2 FKM (standard) - 3 EPDM CH - 4 CR - 5 Silicon - 6 HNBR	
<input type="checkbox"/> Insert O-Ring code for piston version (see page 86):	
7 PUR - 9 NBR	
• Weight	~ 260 gr

G rounding must be fasten by assembling system

Codice - Part Number		Campo di regolazione Setting range bar	Tolleranza a 20° C Tolerance at 20° C bar	Massima pressione Static pressure max bar
膜片 diaphragm	24G 2 0 0 □ 1	0.2 - 5	±0.1	100
	24G 2 0 0 □ 2	1 - 10	± 0.3	150
	24G 2 0 0 □ 3	10 - 25	± 0.5	
	24G 2 0 0 □ 4	25 - 80	± 2	300
活塞 piston	24G 2 0 0 □ 5	30 - 150	± 7	500
	24G 2 0 0 □ 6	100 - 300	± 10	