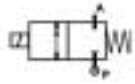


2/2 WAY DIRECT ACTING SOLENOID VALVE, G 1/8"



normally closed

TYPE: B297

TECHNICAL SPECIFICATIONS

Media:	water, oil, air
Media temperature:	-10°C ÷ +130°C
Ambient temperature:	-10°C ÷ +50°C
Body material:	brass (CW719R EN 12165) low lead content
Orifice material:	stainless steel (AISI 303 EN 10088-3)
Operator material:	stainless steel
Seal material:	foodgrade FKM A80
Coil power:	AC 10VA (holding) AC 16VA (inrush) DC 7W
Protection class:	IP 65 (with connector)

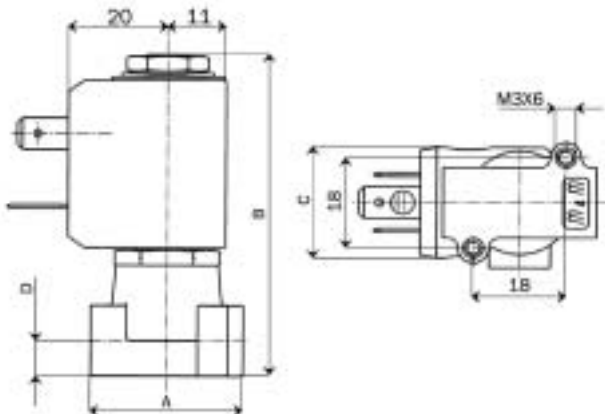


OPTIONS

Normally open (Ex. code <u>RB297DVC</u>)
Manual override (Ex. code <u>B297DVCM</u>)
EPDM seal for air and hot water MAX 120°C (Ex. code <u>B297DEC</u>)
NPT connection on request (Ex. code <u>B297DVEN</u>)

SELECTION TABLE

VALVE	G connection	Nominal Diameter	Flow rate kvs	OPD			COILS	
				min	max		Code	[Volts/Hz]
Code	[ISO 228]	[mm]	[l/min]	[bar]	AC [bar]	DC [bar]		
B297DVB	1/8"	1.2	0.7	0	20	18	2250	24V DC
B297DVC	1/8"	1.5	1.0	0	18	15	2200	24V 50/60Hz
B297DVE	1/8"	2.0	1.9	0	12	9	2400	110V 50Hz - 120V 60Hz
B297DVG	1/8"	2.5	2.7	0	5	2.5	2600	200V 50Hz - 220V 60Hz
B297DVH	1/8"	3.0	3.5	0	3	1	2700	230V 50Hz - 240V 60Hz



DIMENSIONS & WEIGHTS

G connection	A	B	C	D	weight
[ISO 228]	[mm]	[mm]	[mm]	[mm]	[Kg]
1/8"	30	64	22	7	0.15