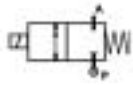


## 2/2 WAY DIRECT ACTING SOLENOID VALVE, G 1/8"



normally closed

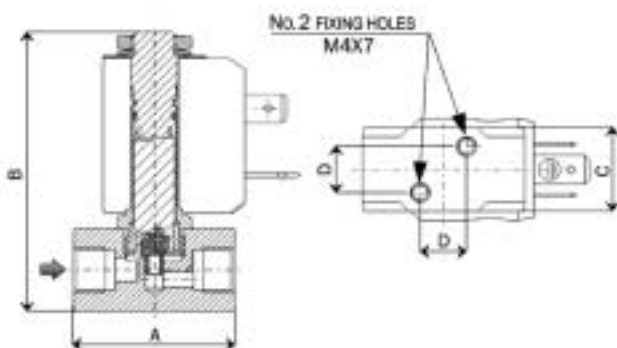
TYPE: B298

### TECHNICAL SPECIFICATIONS

Media: water, oil, air, aggressive fluids
Media temperature: -10°C ÷ +130°C
Ambient temperature: -10°C ÷ +50°C
Body material: stainless steel (AISI 303 EN 10088-3)
Orifice material: stainless steel (AISI 303 EN 10088-3)
Operator material: stainless steel
Seal material: foodgrade FKM A80
Coil power: AC 10VA (holding)
AC 16VA (inrush)
DC 7W
Protection class: IP 65 (with connector)



SELECTION TABLE	VALVE	G connection	Nominal Diameter	Flow rate kvs	OPD		COILS		
					min	max	Code	[Volts/Hz]	
	Code	[ISO 228]	[mm]	[l/min]	[bar]	AC [bar]	DC [bar]	Code	[Volts/Hz]
	B298DV3	1/8"	1.5	1.0	0	18	15	2250	24V DC
	B298DV5	1/8"	2.0	1.9	0	12	9	2200	24V 50/60Hz
	B298DV7	1/8"	2.5	2.7	0	8	3	2400	110V 50Hz - 120V 60Hz
	B298DV8	1/8"	3.0	3.5	0	3	1	2600	200V 50Hz - 220V 60Hz
								2700	230V 50Hz - 240V 60Hz



DIMENSIONS & WEIGHTS	G connection	A	B	C	D	weight
	[ISO 228]	[mm]	[mm]	[mm]	[mm]	[Kg]
	1/8"	35	60.6	18	10	0.1