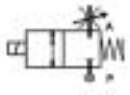


2/2 WAY DIRECT ACTING SOLENOID VALVE, G 1/4" - G 3/8"

WITH FLOW REGULATION

normally closed

TYPE: D260/261



TECHNICAL SPECIFICATIONS

Media: water, steam

Media temperature: -10°C ÷ +150°C

Ambient temperature: -10°C ÷ +70°C

Body material: brass (CW617N EN 12165)

Orifice material: stainless steel (AISI 303 EN 10088-3)

Operator material: stainless steel

Seal material: Sigodur (filled PTFE)

Coil power: AC 18VA (holding)

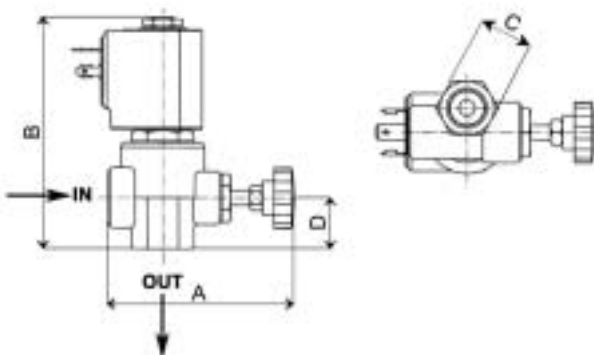
AC 36VA (inrush)

Protection class: IP 65 (with connector)

Not RoHS compliant



SELECTION TABLE	VALVE	G connection	Nominal Diameter	Flow rate kvs	OPD		COILS class "H" only		
	Code	[ISO 228]	[mm]	[l/min]	min	max	Code	[Volts/Hz]	
					[bar]	AC [bar]	DC [bar]		
	D260DLP	1/4"	6.0	8.5	0	5.0	-	7201	24V 50/60Hz
	D261DLP	3/8"	6.0	8.5	0	5.0	-	7401	110V 50Hz - 120V 60Hz
								7601	200V 50Hz - 220V 60Hz
								7701	230V 50Hz - 240V 60Hz



DIMENSIONS & WEIGHTS	G connection	A	B	C	D	weight
	[ISO 228]	[mm]	[mm]	[mm]	[mm]	[Kg]
	1/4"	72 ÷ 80	96	CH 22	20	0.395
3/8"	72 ÷ 80	96	CH 22	20	0.395	