

2/2 WAY DIRECT ACTING SOLENOID VALVE, G 1/4"

WITH FLOW REGULATION



normally closed

TYPE: D267

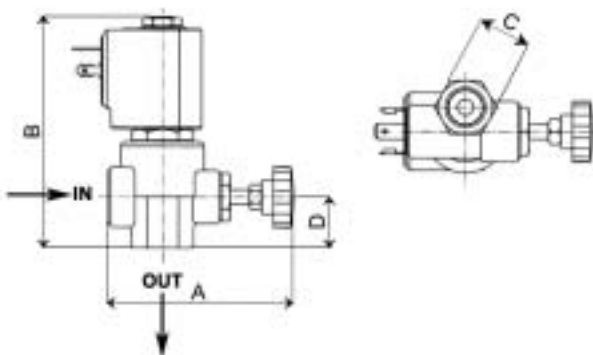
TECHNICAL SPECIFICATIONS

Media: water, steam
Media temperature: -10°C ÷ +180°C
Ambient temperature: -10°C ÷ +70°C
Body material: brass (CW617N EN 12165)
Orifice material: stainless steel (AISI 303 EN 10088-3)
Operator material: stainless steel
Seal material: Sigodur (filled PTFE)
Coil power: AC 18VA (holding)
AC 36VA (inrush)
DC 14W
Protection class: IP 65 (with connector)



SELECTION TABLE	VALVE	G connection	Nominal Diameter	Flow rate kvs	OPD			COILS class "H" only	
					min	max		Code	[Volts/Hz]
	Code	[ISO 228]	[mm]	[l/min]	[bar]	AC [bar]	DC [bar]	Code	[Volts/Hz]
	D267DLE	1/4"	2.0	2.2	0	10	10	7251	24V DC
	D267DLG	1/4"	2.5	3.4	0	10	10	7201	24V 50/60Hz
	D267DLH	1/4"	3.0	4.5	0	10	8	7401	110V 50Hz - 120V 60Hz
	D267DLL*	1/4"	4.0	6.0	0	8	5	7601	200V 50Hz - 220V 60Hz
								7701	230V 50Hz - 240V 60Hz

* NO version not available



DIMENSIONS & WEIGHTS	G connection	A	B	C	D	weight
	[ISO 228]	[mm]	[mm]	[mm]	[mm]	[Kg]
	1/4"	55 ÷ 60	88	CH 19	16.5	0.26