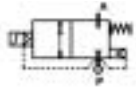


2/2 WAY PILOT OPERATED PISTON VALVE, G 1/4" ÷ G 1/2"



normally closed

TYPE: D634/635/636

TECHNICAL SPECIFICATIONS

Media:	water, steam
Media temperature:	+80°C [Ⓞ] ÷ +180°C
Ambient temperature:	-10°C ÷ +70°C
Body material:	brass (CW617N EN 12165)
Orifice material:	stainless steel (AISI 303 EN 10088-3)
Operator material:	stainless steel
Seal material:	PTFE
Coil power:	AC 18VA (holding) AC 36VA (inrush) DC 14W
Protection class:	IP 65 (with connector)

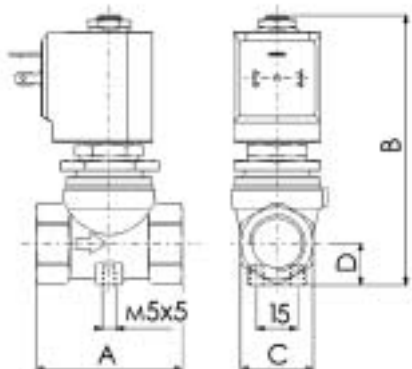
OPTIONS

Electroless nickel plating treatment (Ex. code D636DTTK)



[Ⓞ] For a correct functioning, the minimum working temperature of the solenoid valve cannot be below 80°C

SELECTION TABLE	VALVE	G connection	Nominal Diameter	Flow rate kvs	OPD		COILS class "H" only		
					min	max	Code	[Volts/Hz]	
	Code	[ISO 228]	[mm]	[l/min]	[bar]	AC [bar]	DC [bar]		
	D634DTT	1/4"	10.0	21	0.3	10	10	7251	24V DC
	D635DTT	3/8"	10.0	24	0.3	10	10	7201	24V 50/60Hz
	D636DTT	1/2"	10.0	25	0.3	10	10	7401	110V 50Hz - 120V 60Hz
								7601	200V 50Hz - 220V 60Hz
								7701	230V 50Hz - 240V 60Hz



DIMENSIONS & WEIGHTS	G connection	A	B	C	D	weight
	[ISO 228]	[mm]	[mm]	[mm]	[mm]	[Kg]
	1/4"	54	100	CH 17	15.5	0.465
	3/8"	54	100	CH 17	15.5	0.465
	1/2"	54	100	CH 17	15.5	0.465