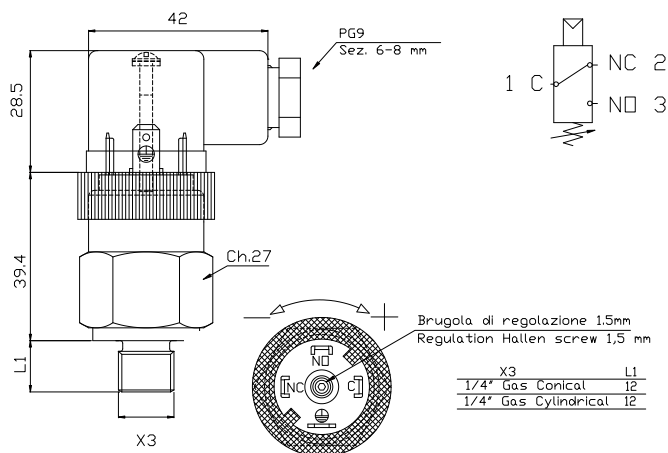


MOD.H

活塞式压力开关 - 转换触点
Piston pressure switch with SPDT contacts



本体	碳钢镀锌 (不锈钢)
电气触点	镀银
调节螺纹	内六角螺丝
最高耐温	100°C
电气控制	SPDT (转换触点)
电气参数	5(4)A/14Vdc
	4(3)A/30Vdc
	5(3)A/125Vac
	5(1)A/250Vac
延迟	10-30%取决于设定值
动作方式	1B
电气污染	正常
机械寿命	10 ⁵ 次
循环次数	25/50 N/m
连接	快速连接6,3x0,8
	屏蔽锁紧
防护等级	IP65 带DIN43650插头
O-密封	NBR (见附页)
重量	120g

• Case	Zinc plated steel (on request inox)
• Electric contacts	Silver
• Regulation screw	Allen Key 1,5 mm
• Max fluid temperature	100°C
• Electrical condition	SPDT (exchange contact)
• Electrical characteristics	5 (4) A / 14 Vdc
	4 (3) A / 30 Vdc
	5 (3) A / 125 Vac
	5 (1) A / 250 Vac
• Fixed hysteresis	10 ÷ 30% depending of setting value
• Action type	1B
• External pollution situation	normal
• Mechanical working life	10 ⁵ operations
• Tightening torque max	25/50 N/m
• Connection	Faston male 6,3x0,8
	and grounding faston
• Protection degree	IP65 with DIN connector 43650
• O-Ring	NBR (see pag. 86)
• Weight	~ 120 gr

订货号- Part Number	螺纹 - thread	设定范围 Setting range bar	宽容值 a 20° C Tolerance at 20° C bar
4820216	G1/4" conico - conical	50 ÷ 200	± 2 ÷ 10
4820H16	G1/4" cilindrico - cylindrical		
4820217	G1/4" conico - conical	200 ÷ 400	± 4 ÷ 15
4820H17	G1/4" cilindrico -		
最高耐压 - 900 bar Max static pressure			