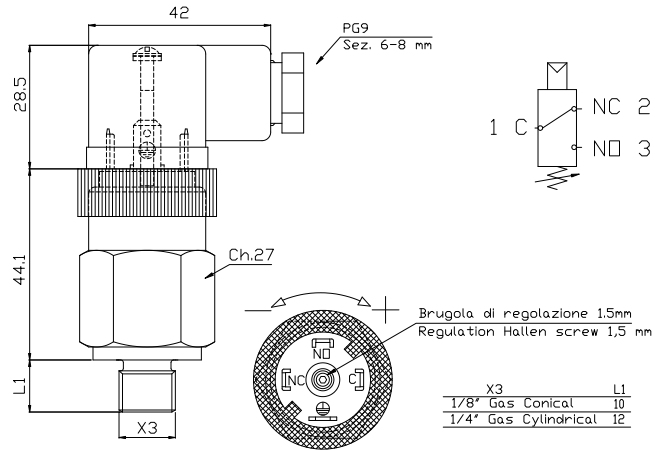


**MOD.I**

**膜片式压力开关 - 转换触点**  
**Diaphragm pressure switch with SPDT contacts**



- On request this product can be supplied **ATEX** certified

本体	黄铜/碳钢镀锌
电气触点	镀银
调节螺纹	内六角螺丝
最高耐温	80-120°C (取决于膜片)
电气控制	SPDT (转换触点)
电气参数	5(4)A/14Vdc
	4(3)A/30Vdc
	5(3)A/125Vac
	5(1)A/250Vac
延迟	设定值的10%
动作方式	1B
电气污染	正常
机械寿命	10 <sup>6</sup> 次
循环次数	25/50 N/m
连接	快速连接6,3x0,8
	屏蔽连接
防护等级	IP65带43650插头
重量	140 g
<input type="checkbox"/> 膜片形式	
1 NBR-2 FKM (标准) -3 EPDMCH-4 CR-5 SYLICON-6 Hnbr	
(见附页)	

• Case	brass / zinc plated steel
• Electric contacts	Silver
• Regulation screw	Allen Key 1,5 mm
• Max fluid temperature	80 to 120°C depending on diaphragm
• Electrical condition	SPDT (exchange contact)
• Electrical characteristics	5 (4) A / 14 Vdc
	4 (3) A / 30 Vdc
	5 (3) A / 125 Vac
	5 (1) A / 250 Vac
• Fixed hysteresis	approximately 10% of setting value
• Action type	1B
• External pollution situation	normal
• Mechanical working life	10 <sup>6</sup> operations
• Tightening torque max	25/50 N/m
• Connection	Faston male 6,3x0,8
	and grounding faston
• Protection degree	IP65 with DIN connector 43650
• Weight	~ 140 gr
• <input type="checkbox"/> Insert diaphragm code (see page 86)	
1 NBR - 2 FKM (standard) - 3 EPDM CH - 4 CR - 5 SYLICON - 6 H-NBR	

订货号 - Part Number		螺纹 - thread	设定范围 Setting range bar	宽容值 20° C Tolerance at 20° C bar
碳钢镀锌 Zinc plated Steel case	黄铜本体 Brass case			
49201 □0	49211 □0	G1/8" conico - conical	0,3 - 1,5	± 0,15
49204 □0	49214 □0	M12x1,5 cilindrico - cylindrical		
4920H □0	4921H □0	G1/4" cilindrico - cylindrical		
49201 □1	49211 □1	G1/8" conico - conical	1 - 5	± 0,3
49204 □1	49214 □1	M12x1,5 cilindrico - cylindrical		
4920H □1	4921H □1	G1/4" cilindrico - cylindrical		
49201 □2	49211 □2	G1/8" conico - conical	1 - 12	± 0,5
49204 □2	49214 □2	M12x1,5 cilindrico - cylindrical		
4920H □2	4921H □2	G1/4" cilindrico - cylindrical		
49201 □3		G1/8" conico - conical	10 - 60	± 2
49204 □3		M12x1,5 cilindrico - cylindrical		
4920H □3		G1/4" cilindrico - cylindrical		
300 bar	80 bar	最高耐压 - Max static pressure		